



Analog Video Routers VikinX Sublime series

User manual

Rev. T

A large, solid green circular graphic with a white circular cutout in the center, located in the bottom right corner of the page.

Nevion
Nordre Kullerød 1
3241 Sandefjord
Norway
Tel: +47 33 48 99 99
neviON.com

Nevion Support

Nevion Europe

P.O. Box 1020
3204 Sandefjord, Norway
Support phone 1: +47 33 48 99 97
Support phone 2: +47 90 60 99 99

Nevion USA

1600 Emerson Avenue
Oxnard, CA 93033, USA
Toll free North America: (866) 515-0811
Outside North America: +1 (805) 247-8560

E-mail: support@nevion.com

See <http://www.nevion.com/support/> for service hours for customer support globally.

Revision history

Current revision of this document is the uppermost in the table below.

Rev.	Repl.	Date	Sign	Change description
T	16	2013-07-18	JGS	Updated chapter 5.2 with supported network modes
16	15	2012-02-21	AAA	Added comment for the MRP protocol option in Chapter 3.7. Fan error alarm described in Chapter 4.2 and Appendix B.1 and B.2.
15	14	2011-08-22	NBS	Updated Chapter 7.1.2.
14	13	2011-07-14	NBS	Added Appendix B. Added Grass Valley Native Protocol in Chapter 3.7 and Appendix B.2. Added Chapter 7.1.10. Changed Chapter 7.1.1. Updated Declaration of Conformity.
13	12	2011-03-29	NBS	Added Chapters 2.1.1. Updated Chapters 3.7, 4.2 and 7.1.8. Updated wiring information in Chapter 6.2. Corrected housing and gender spec on D-sub 9-pin contacts. Updated Declaration of Conformity. Removed old Revision history.
12	11	2009-09-24	NBS	Updated Chapter 5.2 with new information about Ethernet connectivity. Added extra information about "A/V Toggle" button in Chapter 7.
11	10	2008-11-21	NBS	Removed GPI information; Added information about programming of 16x2 CPs.
10	9	2008-11-06	NBS	Added/corrected GPI wiring information. Added protocol configuration information. Added description of power pin out. Added description of switching timing options.

Contents

Revision history	2
1 Product overview	5
1.1 Product versions	5
2 Specifications	7
2.1 Mechanics.....	7
2.1.1 Weight and power consumption	7
2.2 Power Supply	7
2.3 Control	7
2.4 Analog Video specifications.....	8
2.5 Connection details.....	9
2.5.1 Power Supply pin-out	9
3 Configuration	10
3.1 Router level.....	10
3.2 Router mode	10
3.2.1 Router mode on NxN square routers	10
3.2.2 Router extension mode on 16x2 routers.....	15
3.3 Power alarm.....	15
3.4 Power-up mode / Extension enable.....	15
3.5 Configuring output on Single bus panels	15
3.6 Configuring switching time	16
3.7 Configuring protocol options.....	16
4 LED status indication.....	18
4.1 Start-up.....	18
4.2 Alarm states	18
4.3 Ethernet states.....	18
5 Router communication.....	19
5.1 Serial connection.....	19
5.1.1 Maximum cable length (RS-232)	19
5.2 Ethernet connection	20
5.2.1 HW limitations	20
5.3 NCB connection	21
5.3.1 Connecting control panels	21
5.3.2 Pin-out and cable type.....	21
5.3.3 Termination plug	23
5.3.4 Control bus structure	23
5.3.5 Maximum distance between NCB devices.....	23
6 Connecting signal cables to the router	24
6.1 Video signals.....	24
6.2 Input extension.....	24
7 Control Panel operation.....	26
7.1 Button description	26
7.1.1 A/V Toggle	26
7.1.2 Panel Enable.....	27
7.1.3 Take on/off	27
7.1.4 Take.....	27
7.1.5 Output	27

7.1.6 Input.....	27
7.1.7 XY.....	27
7.1.8 Salvo.....	27
7.1.9 Lock.....	28
7.1.10 Protect.....	28
General environmental requirements for Nevia equipment	29
Product Warranty.....	30
Important notes regarding Software in the VikinX Sublime router family range	31
Appendix A Materials declaration and recycling information	32
A.1 Materials declaration.....	32
A.2 Recycling information.....	32
Appendix B Additional Protocol information.....	33
B.1 Leitch Pass-Through protocol	33
B.2 Grass Valley Native protocol.....	33

1 Product overview

Nevion are proud to present the 2nd generation of the compact small and medium routing switcher family, Sublime. With Sublime, Nevision now provide a stable and proven product line including the most complete signal format and size offering available.

With the new ultra slim, multi format and flexible product range, Sublime fulfills the most demanding requirements from the professional broadcast market.

This User Manual presents the features, installation and operation procedures of the Analog Video routers of the Sublime range.

- Router range from 8x8 to 128x128
- Software based Configurator for easy system set-up
- TCP/IP, RS-232 and NCB Control (RJ-45)
- Programmable multi- single- and dual bus control panels
- Ultra Slim frame depth
- Low Power, high reliability design
- Redundant power supply system with front indicators
- Interoperability with existing VikinX routers
- Future proof and flexible product range

VikinX Sublime provides many of the powerful control features that drove the VikinX Modular range to success. VikinX Sublime is ideal for general purpose facilities, on-air routing, mobile outside broadcast applications and sophisticated A/V applications.

1.1 Product versions

The following versions of the VikinX Sublime Analog Video Routers are available:

Analog Video – 19” - 1RU, depth 5cm:

SL-V0808 /	8x8 Analog Video Router (125MHz). Router partitioning,
SL-V0808-CP	programmable X-Y control panel (on CP version)
SL-V1616 /	16x16 Analog Video Router (125MHz). Router partitioning,
SL-V1616-CP	programmable X-Y control panel (on CP version).
SL-V1602 /	16x2 Analog Video Router (125MHz). Programmable Dual bus
SL-V1602-CP	control panel (on CP version), Expandable to 64x2.

Analog Video – 19” - 2RU, depth 5cm:

SL-V3232 /	32x32 Analog Video Router (125MHz). Router partitioning,
SL-V3232-CP	programmable X-Y control panel (on CP version).

Analog Video – 19” - 4RU, depth 5cm:

SL-V6464 /	64x64 Analog Video Router (125MHz). Router partitioning,
SL-V6464-CP	programmable X-Y control panel (on CP version).

Available Control Panels – 19” – 1RU:

SL-16XY-CP	Multi bus X-Y 16x16 panel.
SL-8XY-CP	Multi bus X-Y 8x8 panel.
SL-16D-CP	Dual bus 16x2 panel.
SL-32S-CP	Single bus 32x1 panel.
SL-32S-CP-GPI	Single bus 32x1 panel with GPI / Joystick / Tally interface.
SL-16S-CP	Single bus 16x1 panel.
SL-16S-CP-GPI	Single bus 16x1 panel with GPI / Joystick / Tally interface.
SL-8S-CP	Single bus 8x1 panel.
SL-8S-CP-GPI	Single bus 8x1 panel with GPI / Joystick / Tally interface.

Available Control Panels – 19” – 2RU:

SL-32XY-CP	Multi bus X-Y 32x32 panel.
SL-64S-CP	Single bus 64x1 panel.
SL-64S-CP-GPI	Single bus 64x1 panel with GPI / Joystick / Tally interface.

Available Control Panels – 19” – 4RU:

SL-64XY-CP	Multi bus X-Y 64x64 panel.
------------	----------------------------

2 Specifications

2.1 Mechanics

Dimensions:	-	HxWxD = 44x483x50mm, (19", 1RU);
	-	HxWxD = 88x483x50mm, (19", 2RU);
	-	HxWxD = 176x483x50mm, (19", 4RU).
Safety/Emission standards:		Compliant with CE EN55103-1 and 2.

2.1.1 Weight and power consumption

Device	Weight, incl. 1x PSU	Current +15V	Current -15V	Power
SL-V6464	3.5 kg	1066 mA	90 mA	17 W
SL-V6464-CP	4.2 kg	400 mA	1000 mA	21 W
SL-V3232	1.9 kg	300 mA	490 mA	12 W
SL-V3232-CP	2.2 kg	800 mA	490 mA	19 W
SL-V1616	1.2 kg	280 mA	160 mA	7 W
SL-V1616-CP	1.4 kg	390 mA	160 mA	8 W
SL-V0808	1.2 kg	170 mA	80 mA	4 W
SL-V0808-CP	1.3 kg	300 mA	80 mA	6 W
SL-V1602	1.2 kg	270 mA	60 mA	5 W
SL-V1602-CP	1.3 kg	460 mA	59 mA	8 W

2.2 Power Supply

SL-PWR-40	40W Power Supply Unit for 8x8 – 32x32 versions.
SL-PWR-90	90W Power Supply Unit for 64x64 versions.
AC Supply voltage range:	100-240VAC, 50-60Hz, Max 1.6A (SL-PWR-40) / Max 3A (SL-PWR-90).
AC Mains connector:	IEC 320.
DC output:	- +15V, max. 2.2A / -15V, max 1.35A. Maximum 43W for 8x8 – 32x32 versions; - +15V, max. 4A / -15V, max 2.5A. Maximum 90W for 64x64 versions.
DC connector:	DE9, D-sub 9-pin male.
Status monitoring:	Via LED in front of the router/CP.
Safety standards:	Compliant with CE EN60950, UL-1950/CSA22.2.

2.3 Control

Standard Features:

Serial port:	RS-232 for protocol conversion, to VikinX compact control protocol, or to third party protocols.
Connector:	DE9, D-sub 9-pin female.
NCB ports:	For integration with VikinX compact router configuration.
Connectors (2):	RJ45 (1 In / 1 Out)
Ethernet port:	10/100BaseT Ethernet bus for external router control.
Connector:	RJ45.
Synchronization:	- Analog Black&Burst, looped. Both PAL and NTSC supported. - Tri-Level, Looped. For HD signal formats only. - Distribution of synchronization signals between several routers.
Connector(s):	BNC.

Optional Features:

- Control Panel:
- Optional, built-in control panel available.
 - External control panels available.

2.4 Analog Video specifications**Supported formats:**

- Broadcast:
- Composite Analog Video, PAL and NTSC.
 - Composite Analog Video, SECAM,
 - Analog RGB and
 - Analog YCrCb.

Electrical signal specifications:

- Frequency response:
- 100kHz – 5MHz: +0/-0.1dB
 - 100kHz – 30MHz: ± 0.5 dB
 - 0Hz – 125MHz: +0.5/-3dB.
- Return loss:
- > 40dB @5.5MHz, 75 ohm BNC
 - > 35dB @10MHz.
- Output DC offset error: < 15mV DC.
- Gain: 0dB ± 0.1 dB.
- Crosstalk: < -60dB up to 5MHz.
- Differential gain:
- < 0.1%, for routers up to 16x16;
 - < 0.2%, for 32x32 and 64x64 routers.
- Differential phase:
- < 0.1°, for routers up to 16x16;
 - < 0.2°, for 32x32 and 64x64 routers.
- Bar tilt: < 0.1%.
- Lum. Non-linearity:
- < 0.1%, for routers up to 16x16;
 - < 0.2%, for 32x32 and 64x64 routers.
- Video S/N: > 70dB, unweighted
- Max. signal level: > 2Vpp.
- Delay difference, any input to one output: < ± 1 nsec.
- Connector: 75 ohm BNC female.
- Impedance: 75 ohm nominal.
- Reference inputs:**
- Number of inputs: 1.
- Connector: 75 ohm BNC female, loop-thru.
- Return loss: >40dB (100 kHz – 5 MHz);
>35dB (5-10 MHz).
- Signal format: NTSC or PAL Black&Burst.
- Signal level: Nominal 1.0Vp-p.
- Field selectivity: Field 1.
- Timing range:
- PAL: 30us ± 5 us after hsync in line 6
 - NTSC: 30us ± 5 us after hsync in line 10.

2.5 Connection details

The Sublime routers have the following service connections on the rear of each product:

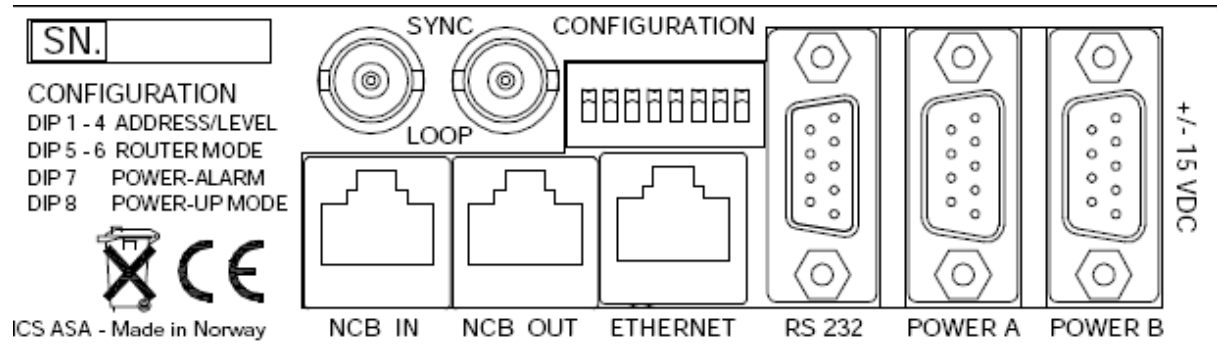


Figure 1: Sublime service connectors.

SYNC:	Synchronization signal (in). Black burst/composite/tri-level sync reference input with passive loop-through for vertical interval switching.
LOOP:	Synchronization signal (out). Loop-through of SYNC input.
NCB IN:	Network Control Bus Input. The protocol of this bus is described in a separate manual.
NCB OUT:	Network Control Bus Output.
ETHERNET:	10/100Base-T Ethernet bus for external router control.
RS 232:	RS-232 for external control protocols.
POWER A:	±15VDC power connector.
POWER B:	±15VDC power connector, redundant supply.
CONFIGURATION:	Configurations switch. See Chapter 3 for further descriptions.

2.5.1 Power Supply pin-out

The DE9 male sockets for the power connection on Sublime routers and Control Panels have the following pin-out;

Pin #	Description
1	GND
2	Not connected
3	Not connected
4	+15VDC
5	Not connected
6	Not connected
7	Not connected
8	-15VDC
9	Not connected

3 Configuration

This chapter provides an overview of the configuration options that are available on the Sublime Analog Video Routers.

3.1 Router level

Switches 1 - 4 on the configuration switch set the router's level for communication with the Router Management System and other units in the NCB system. The panels on the NCB dedicated to operate with the router must be configured to the same level as that router.

If several routers are combined to form an Audio Follow Video, RGB or similar system, these routers must be configured to the same level.

The levels can be switched according to the following pattern:

SW 1	SW 2	SW 3	SW 4	Level	NCB Address
OFF	OFF	OFF	OFF	1	0
OFF	OFF	OFF	ON	2	1
OFF	OFF	ON	OFF	3	2
OFF	OFF	ON	ON	4	3
OFF	ON	OFF	OFF	5	4
OFF	ON	OFF	ON	6	5
OFF	ON	ON	OFF	7	6
OFF	ON	ON	ON	8	7
ON	OFF	OFF	OFF	9	8
ON	OFF	OFF	ON	10	9
ON	OFF	ON	OFF	11	10
ON	OFF	ON	ON	12	11
ON	ON	OFF	OFF	13	12
ON	ON	OFF	ON	14	13
ON	ON	ON	OFF	15	14
ON	ON	ON	ON	16	15

Default level is 1.

3.2 Router mode

3.2.1 Router mode on NxN square routers

The Sublime A/V router allows switching in different modes:

Router layers	8x8 router	16x16 router	32x32 router	64x64 router
1 layer	8x8	16x16	32x32	64x64
2 layers	4x4	8x8	16x16	32x32
3 layers	N.A.	5x5	10x10	21x21
4 layers	2x2	4x4	8x8	16x16

Switches 5 - 6 on the configuration switch set the router's mode. The Router Management System software must be configured according to the mode chosen on the router.

The modes can be switched according to the following pattern:

SW 5	SW 6	Router mode
OFF	OFF	1 router layer
OFF	ON	2 router layers
ON	OFF	3 router layers
ON	ON	4 router layers

Default mode is 1 router layer.

Based on the configuration above, the I/O is connected to the router according to the following scheme, where the physical limitations depend on the type of router that is purchased (8x8, 16x16, 32x32 or 64x64):

- **1 layer:**
I/O is connected according to information on the rear of the router.

- **2 layers, based on an 8x8 router:**

Layer 1	Input	Layer 1	Output
1	1	1	1
2	2	2	2
3	3	3	3
4	4	4	4
Layer 2	Input	Layer 2	Output
1	5	1	5
2	6	2	6
3	7	3	7
4	8	4	8

- **2 layers, based on a 16x16 router:**

Layer 1	Input	Layer 1	Output
1	1	1	1
2	2	2	2
3	3	3	3
4	4	4	4
...
8	8	8	8
Layer 2	Input	Layer 2	Output
1	9	1	9
2	10	2	10
3	11	3	11
4	12	4	12
...
8	16	8	16

- **2 layers, based on a 32x32 router:**

Layer 1	Input	Layer 1	Output
1	1	1	1
2	2	2	2
3	3	3	3
4	4	4	4
...
16	16	16	16
Layer 2	Input	Layer 2	Output
1	17	1	17
2	18	2	18
3	19	3	19
4	20	4	20
...
16	32	16	32

- **2 layers, based on a 64x64 router:**

Layer 1	Input	Layer 1	Output
1	1	1	1
2	2	2	2
3	3	3	3

4	4	4	4
...
32	32	32	32
Layer 2	Input	Layer 2	Output
1	33	1	33
2	34	2	34
3	35	3	35
4	36	4	36
...
32	64	32	64

- 3 layers, based on a 16x16 router:

Layer 1	Input	Layer 1	Output
1	1	1	1
2	2	2	2
3	3	3	3
4	4	4	4
5	5	5	5
Layer 2	Input	Layer 2	Output
1	6	1	6
2	7	2	7
3	8	3	8
4	9	4	9
5	10	5	10
Layer 3	Input	Layer 3	Output
1	11	1	11
2	12	2	12
3	13	3	13
4	14	4	14
5	15	5	15

In-/Output 16 is not in use in this router setup (3 router layers, based on a 16x16 router).

- 3 layers, based on a 32x32 router:

Layer 1	Input	Layer 1	Output
1	1	1	1
2	2	2	2
3	3	3	3
...
10	10	10	10
Layer 2	Input	Layer 2	Output
1	11	1	11
2	12	2	12
3	13	3	13
...
10	20	10	20
Layer 3	Input	Layer 3	Output
1	21	1	21
2	22	2	22
3	23	3	23
...
10	30	10	30

In-/Outputs 31 and 32 are not in use in this router setup (3 router layers, based on a 32x32 router).

- **3 layers, based on a 64x64 router:**

Layer 1	Input	Layer 1	Output
1	1	1	1
2	2	2	2
3	3	3	3
...
21	21	21	21
Layer 2	Input	Layer 2	Output
1	22	1	22
2	23	2	23
3	24	3	24
...
21	42	21	42
Layer 3	Input	Layer 3	Output
1	43	1	43
2	44	2	44
3	45	3	45
...
21	63	21	63

In-/Output 64 is not in use in this router setup (3 router layers, based on a 64x64 router).

- **4 layers, based on an 8x8 router:**

Layer 1	Input	Layer 1	Output
1	1	1	1
2	2	2	2
Layer 2	Input	Layer 2	Output
1	3	1	3
2	4	2	4
Layer 3	Input	Layer 3	Output
1	5	1	5
2	6	2	6
Layer 4	Input	Layer 4	Output
1	7	1	7
2	8	2	8

- **4 layers, based on a 16x16 router:**

Layer 1	Input	Layer 1	Output
1	1	1	1
2	2	2	2
3	3	3	3
4	4	4	4
Layer 2	Input	Layer 2	Output
1	5	1	5
2	6	2	6
3	7	3	7
4	8	4	8
Layer 3	Input	Layer 3	Output
1	9	1	9
2	10	2	10

3	11	3	11
4	12	4	12
Layer 4	Input	Layer 4	Output
1	13	1	13
2	14	2	14
3	15	3	15
4	16	4	16

- 4 layers, based on a 32x32 router:

Layer 1	Input	Layer 1	Output
1	1	1	1
2	2	2	2
...
8	8	8	8
Layer 2	Input	Layer 2	Output
1	9	1	9
2	10	2	10
...
8	16	8	16
Layer 3	Input	Layer 3	Output
1	17	1	17
2	18	2	18
...
8	24	8	24
Layer 4	Input	Layer 4	Output
1	25	1	25
2	26	2	26
...
8	32	8	32

- 4 layers, based on a 64x64 router:

Layer 1	Input	Layer 1	Output
1	1	1	1
2	2	2	2
...
16	16	16	16
Layer 2	Input	Layer 2	Output
1	17	1	17
2	18	2	18
...
16	32	16	32
Layer 3	Input	Layer 3	Output
1	33	1	33
2	34	2	34
...
16	48	16	48
Layer 4	Input	Layer 4	Output
1	49	1	49
2	50	2	50
...
16	64	16	64

3.2.2 Router extension mode on 16x2 routers

Switches 5 - 6 and 8 on the configuration switch set the router's input offset in systems with 2 or more 16x2 Sublime routers. You may build routers up to 64x2 with video formats. The chosen input offset defines the input range each 16x2 router works on.

Configurable panels cannot detect input offset on 16x2 routers. It is therefore important to remember to re-program the local control panel on 16x2 routers with input offset >0. See also Chapter 7 for more information.

The modes of the audio routers can be switched according to the following pattern:

SW 5	SW 6	SW 8	Input offset
OFF	OFF	ON	0 (Inputs 1-16)
OFF	ON	ON	1 (Inputs 17-32)
ON	OFF	ON	2 (Inputs 33-48)
ON	ON	ON	3 (Inputs 49-64)

Default mode is 0 offset.

See Chapter 3.4 for further information.

3.3 Power alarm

The power alarm can be switched according to the following pattern:

SW 7	Power alarm
OFF	Disables Power Alarm
ON	Enables Power Alarm

Default setting is Power Alarm disabled.

3.4 Power-up mode / Extension enable

Switch 8 on the configuration switch defines the power up mode on NxN square routers, and enables input extension on 16x2 routers. The Sublime router provides two modes for powering up the system.

The power up options can be switched according to the following pattern:

SW 8	Power Up mode
OFF	Switches all outputs according to the buffered information in the routers processor system.
ON	Switches all outputs to input 1.

Default setting switches all outputs according to the buffered information in the routers processor system.

On 16x2 routers this switch enables router extension. See further Chapter 3.2.2 for details.

SW 8	Extension enable
OFF	Disables input extension. Router works as 16x2 router.
ON	Enables input extension. Router works as 32x2, 48x2 or 64x2 router.

Default setting is extension disabled; the router works as a 16x2 router.

3.5 Configuring output on Single bus panels

See Chapter 7.1, section *Input* for configuring default output to be controlled from a Single bus control panel.

3.6 Configuring switching time

This configuration is done in the System Configurator.

It is possible to configure switching time in the router. The settings are made through the System Configurator, but a description of the options is given here. The user can select between three options;

1. Switch according to detected sync reference signal (Default).
Switching time is determined by the synchronization signal that feeds the router. This is useful when the video signal has the same format as the synchronization signal. Supported formats are: PAL, NTSC, 750/50p, 750/60p, 1125/50i and 1125/60i.
2. Switch according to signal format: Select format.
Here it is possible to use one synchronization signal to switch a different video format. A prerequisite is that the synchronization signal and the video signal have the same frame rate. E.g. Use PAL as synchronization signal with a 750/50p video signal. Supported formats are: PAL, NTSC, 750/50p, 750/60p, 1125/50i, 1125/60i, 1125/50p and 1125/60p.

We do not support 1125/50p or 1125/60p as synchronization signal. This means that our 3G-HD routers cannot use default setting.

3. Switch to handle mixed signal formats.
The router switches 12us after vertical sync on the synchronization signal. This will occur in line 1 on all video formats. This is useful when you have different video formats on the same router, also with different frame rate.

This setting is not according to recommendations in SMPTE RP 168-2002. Embedded data may become damaged or lost.

3.7 Configuring protocol options

For various reasons, Neveon has decided to make it possible to turn the extra commands that were added to the NCB protocol when we introduced the Sublime router range either off or on.

At the same time, the user must select whether he/she shall use the RS-232 port for controlling the router or the Ethernet port. This is done in order to prevent both ports from simultaneously being applied for controlling the router.

There is a new Protocol field in the System Configurator where you may choose from the following options;

- **NCB without Sublime ext. (RS232)**
This is the “old” Compact NCB protocol, without Sublime extensions. If used on a Sublime, it also disables the Ethernet port of that device.
- **NCB (RS232)**
This is the regular Sublime protocol, with the extra commands that were added to the NCB protocol. If used on a Sublime, it also disables the Ethernet port of that device. This is the default option for the *Sublime* (SL) range of products.
- **MRP (TCP/IP)**
This option is only applicable to the Sublime range. It selects the Ethernet protocol as the control option, and disables the RS-232 port of that device.

Note that the above selection is only possible if you have Sublime FW rel. 2.1.1 or newer installed on your Sublime device, and System Configurator rel. 3.3.5 or newer installed on your PC.

It is NOT possible to select protocol options on Sublimes with HW rev. 1.

MRP is always enabled when any TCP/IP based protocol is selected. This makes it possible to use Sublime panels when a third party protocol is selected.

– **Leitch Pass-Through (RS-232)**

This option allows support for Leitch Pass-Through protocol via RS-232 interface. The details of this protocol are described in *Leitch Routing Switchers Serial Protocol Reference, Edition E*. See also Appendix B.1 for details.

This option is not supported over NCB.

– **Leitch Pass-Through (TCP/IP)**

This option allows support for Leitch Pass-Through protocol via TCP/IP interface. The details of this protocol are described in *Leitch Routing Switchers Serial Protocol Reference, Edition E*.

The interface is using port 23 for this protocol option; same port as for Telnet applications. See also Appendix B.1 for details.

The Leitch Pass-Through selections are only available on Sublime routers with FW version 2.4.x and higher.

– **Grass Valley Native protocol (TCP/IP)**

This option allows support for Grass Valley Native protocol via TCP/IP interface, using port 12345. The subset of this protocol that is supported by Sublime routers is described in Appendix B.2.

The Grass Valley Native protocol is only available on Sublime routers with FW version 2.5.4 and higher.

– **Sublime 16x2 routers with, or without extensions**

This option shall be used only on 16x2 routers, enabling both IP, or RS-232 control and NCB extensions to other 16x2 routers in a stack.

When using 16x2 routers in a stack, the router with the highest offset shall be connected to IP, or RS-232; and the rest of the stack interconnected with NCB connections.

See Chapter 6.2 for connection details.

This protocol option is *only* used on 16x2 routers; but should be used on *all* 16x2 routers in the application.

Use your System Configurator to verify the HW revision of your Sublime unit:

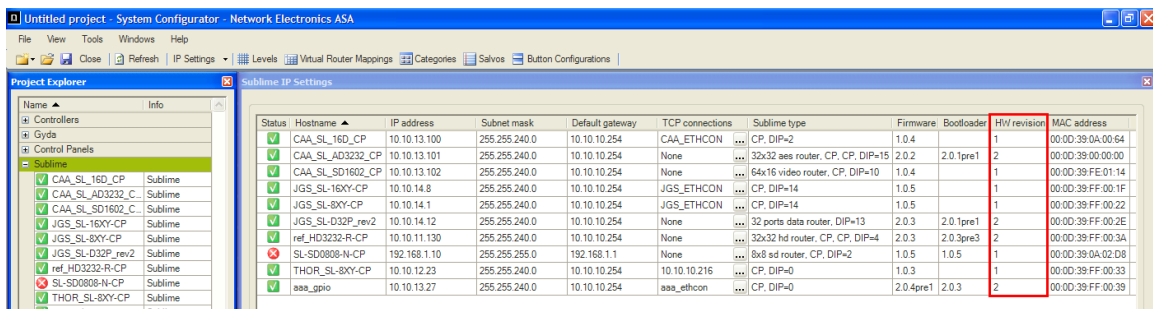


Figure 2: HW verification in Neveon Configurator.

Right-click the column headers and select the appropriate column to be shown, if you don't see the appropriate column in your default display.

For further information about FW releases, please go to the Neveon web site to download, or check available FW releases: www.neveon.com.

4 LED status indication

4.1 Start-up

The LED located at the front of the router indicates the status of the router. At start-up, the LED will alternate between red (R) and green (G) every 500ms for about two seconds. After the start-up sequence the LED will indicate the Alarm state of the router.

There are two LEDs located at the Ethernet bus. At start-up the boot loader is searching for update commands on the serial port for about two seconds. During this sequence both Ethernet LEDs will be blinking. After the start-up sequence the LEDs will indicate the Ethernet state.

4.2 Alarm states

The LED can either be red (R), green (G), yellow (Y) or have no light (N).

The LED state is here described with twenty letters, each representing 100ms, which totals to an alarm sequence of two seconds. The X indicates that the LED keeps the color it has the moment the alarm sequence begins (green, yellow or no light).

Description	LED state	Alarm	Comment
Continuous green light	GGGGG GGGGG GGGGG GGGGG	No alarm. Status is OK.	
Continuous yellow light	YYYYY YYYYY YYYYY YYYYY	Unable to connect to controller over Ethernet.	This alarm will be overwritten by other alarms
Long red blinks	RRRRR NNNNN RRRRR NNNNN	Power is too low.	
One short red blink	RXXXX XXXXX XXXXX XXXXX	Power A failed	Only active if power alarm dip is set.
Two short red blinks	XXXXX XXXXX RXRXX XXXXX	Power B failed	Only active if power alarm dip is set.
Red with one short yellow blink	YRRRR RRRRR RRRRR RRRRR	No valid product key.	
Red with two short yellow blinks	YRYRR RRRRR RRRRR RRRRR	SFP error.	Only used on routers with optical modules.
Red with three short yellow blinks	YRYRY RRRRR RRRRR RRRRR	Fan error.	

4.3 Ethernet states

The LEDs that are located at the Ethernet bus will after the Start-up sequence indicate the Ethernet states:

	On	Off / Blinking
Green	Valid link	No link
Yellow	No data	Data is transmitted or received

5 Router communication

You gain access to router for communication purposes by connecting either the router's serial port to your computer or by using an Ethernet connection.

Do not use both the router's Ethernet port and RS-232 serial port, or NCB ports, at the same time. Doing so may cause loss of important communication and control data.

5.1 Serial connection

Connection can be made through the serial port of the router; see also Chapter 0 for connection details.

The communication parameters are configurable. Please refer to the protocol documentation of the appropriate communication/control protocol.

Example: The protocol parameters of the *VikinX Compact routers* are as follows:

- Bit rate 19200 bit/s
- Data bits 8 bits
- Stop bits 1
- Parity: No parity

For further details concerning this protocol, please refer to the following manual:

[NCB Protocol.pdf](#).

The DE9 female socket for the serial port of the router has the following pin-out:

Pin #	RS-232 mode
1	<i>Not in use</i>
2	Tx
3	Rx
4	<i>Not in use</i>
5	GND
6	GND
7	RTS
8	CTS
9	<i>Do Not Connect!</i>

Note that if the standard RS-232 cable specification (DCE) is followed:

A cable with Male+Male or Female+Female connectors at the cable ends is used for Rx/Tx crossed connection, and

A cable with Male+Female connectors at the cable ends is used for a straight through connection.

5.1.1 Maximum cable length (RS-232)

IEEE has specified the maximum cable length for an RS-232 connection to 15m. Longer distances can be installed depending on the environmental conditions of the installation site.

It is the responsibility of the installer / user to secure a proper installation of the RS-232 connection.

5.2 Ethernet connection

The connections follow the standard set by the IEEE 802.3 100BaseTX specification. The cables that are to be applied should be CAT-5 / CAT-5E standard, or better. It is the responsibility of the installer / user to secure a proper installation of the Ethernet connection.

A VikinX Sublime device supports the following setups:

- 100 Mb/s, half duplex (default)
- 10 Mb/s, half duplex

This setup is valid from VikinX Sublime firmware 2.6.3 and newer. Changing the ethernet setup on a VikinX Sublime must be done with the Nevion Configurator, version 4.4.0 or newer.

All VikinX Sublime routers and IP-based Control Panels are connected together through an Ethernet Switch.

A VikinX Sublime device has only one physical Ethernet connection. If redundant control is required, this limitation has to be solved by the control system.

For Ethernet protocol details concerning this router, please refer to the following manual: Modular Router Control Protocol. This manual can be found on our web site: <http://www.nevion.com>.

5.2.1 HW limitations

With the introduction of Sublime controller HW Rev.2, the user has the option of connecting more than two devices together, without having a Multicon to control the network. See Chapter 3.7 for verification of the HW revision of your device.

Unless you apply a Multicon as a system controller, the limitations that apply are:

1. One Sublime control panel may connect to a maximum of 4 Sublime routers.
2. One Sublime router may be controlled by a maximum of 4 Sublime control panels.

Exceptions to the above limitations:

A router with a local CP (e.g. SL-V6464-CP) may only connect to 1 other router. Both routers must be configured with the same address and be of different type (A+V).

Example: 1x SL-V6464-CP may only control itself + 1x Audio router (AA or AES). Both routers must be configured with the same address.

16x2 routers that are expanded to NNx2 (see Chapters 3.2.2 and 3.4) are using the NCB bus for this purpose. The total NNx2 router is therefore counted as 1 router in the limitations 1 and 2 above.

From limitations 1 and 2 above, the resulting Ethernet configuration may consist of maximum 8 devices; 4 routers and 4 control panels, with the exceptions mentioned above. An example is illustrated in the figure below.

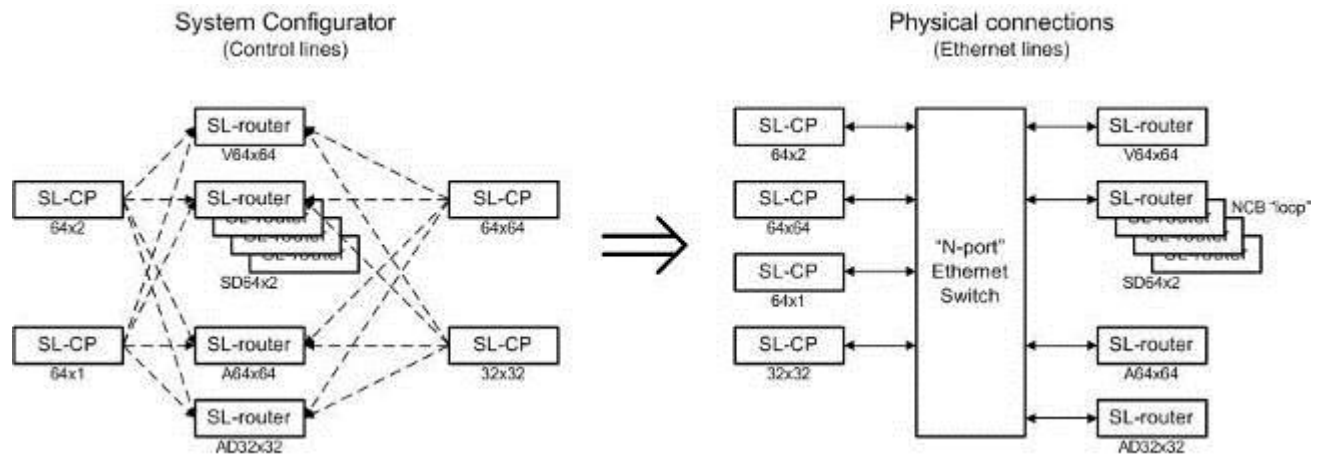


Figure 3: Ethernet connections and configuration.

Refer to the System Configurator User Manual for further information about the above described configuration/connection options.

It is NOT possible to connect more than 2x Sublimes with HW rev. 1 together via Ethernet, unless a Multicon is applied as system controller.

5.3 NCB connection

Via the Network Control Bus system several routers and control panels can be interconnected.

Up to 16 levels of routers, or combinations of routers, can be controlled. The NCB system and all RS 232 ports interchange the system status. This means that any control system, either from Nevia, or from a third party manufacturer, connected to any RS 232 port in the NCB loop, will have access to all communication data on the bus.

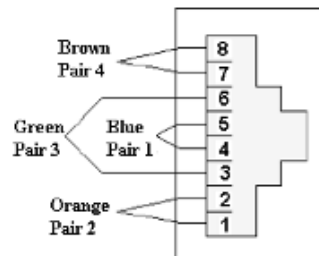
5.3.1 Connecting control panels

To get a control panel working with a specific router, configure the control panel to the same level as the router. Several panels can be configured to control the same router. Panels can also be connected to a router via the RS-232 interface. Please refer to your control panel manual for installation.

5.3.2 Pin-out and cable type

VikinX Sublime routers and Control Panels use RJ45 connectors for the Network Control Bus ports. The following pin-out is used:

- Pin #1 Not Connected
- Pin #2 Not Connected
- Pin #3 Data (retour)
- Pin #4 Data
- Pin #5 Data
- Pin #6 Data (retour)
- Pin #7 Not Connected
- Pin #8 Not Connected



The following connection example shows connection of 4 VikinX devices with RJ45 connectors and bus termination:

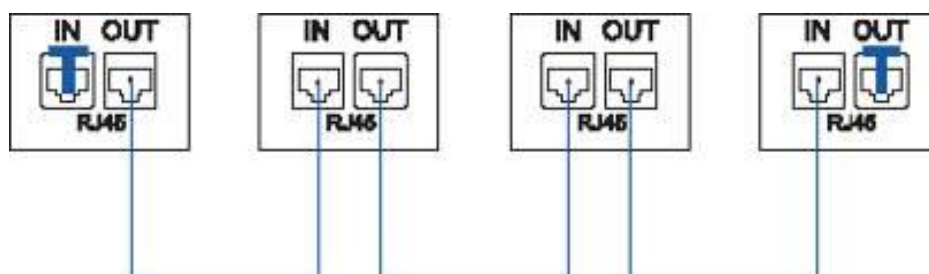


Figure 4: NCB loop configuration.

Note that each device at the end of the chain has a termination plug, indicated with the letter "T". This termination plug must be inserted in the correct connection port. If not, no NCB communication is possible.

5.3.3 Termination plug

The termination plug that is mentioned in the previous chapter is necessary when you want to avoid closing the loop by a (long) cable.

The termination plug is a standard RJ45 plug with the following internal wiring:



Figure 5: NCB loop termination plug.

As seen in the figure above, *Pin 3* is connected to *Pin 4*, and *Pin 5* is connected to *Pin 6*.

5.3.4 Control bus structure

The Network Control Bus structure follows the standard MIDI bus definition. The NCB is defined as a closed chain of units. This means that the NCB OUT of the last unit must be connected to the NCB IN of the first unit in the NCB chain. To avoid problems with the control of VikinX units the installer/user has to assure that the bus structure is installed according to this definition.

The total number of VikinX devices in an NCB chain is limited to 50.

5.3.5 Maximum distance between NCB devices

The standard MIDI definition allows a maximum cable length of 200-250 meters between two devices. Longer distances can be made with MIDI repeater units. To avoid grounding problems all NCB ports have opto-coupled inputs.

6 Connecting signal cables to the router

6.1 Video signals

The Sublime Video Router offers standard 75Ohms BNC connectors for video in- and outputs. All video inputs are terminated with 75Ohms.

6.2 Input extension

This chapter is only applicable for SL-V1602 (16x2) routers.

Please refer to Chapter 3.2.2 regarding input offset.

SL-V1602 allows input extension up to 64x2. An extension router is used to collect the signal from several units. The labels on the rear connectors in question are shown below, for the purpose of pre-wiring.

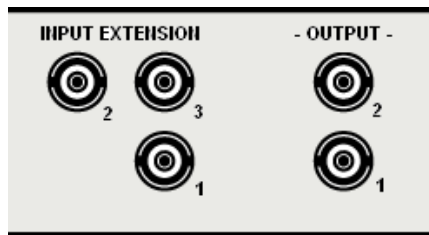


Figure 6: Input extension connectors.

Please connect the routers as shown below.

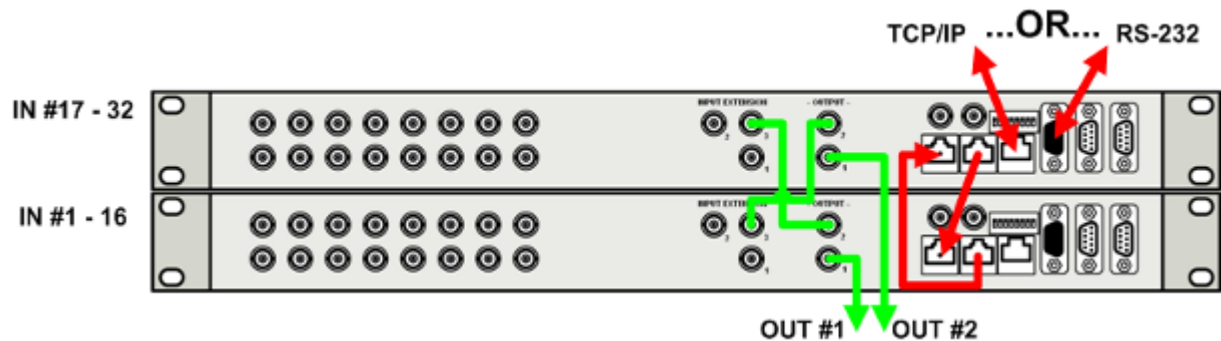


Figure 7: SL-V3202 wiring diagram.

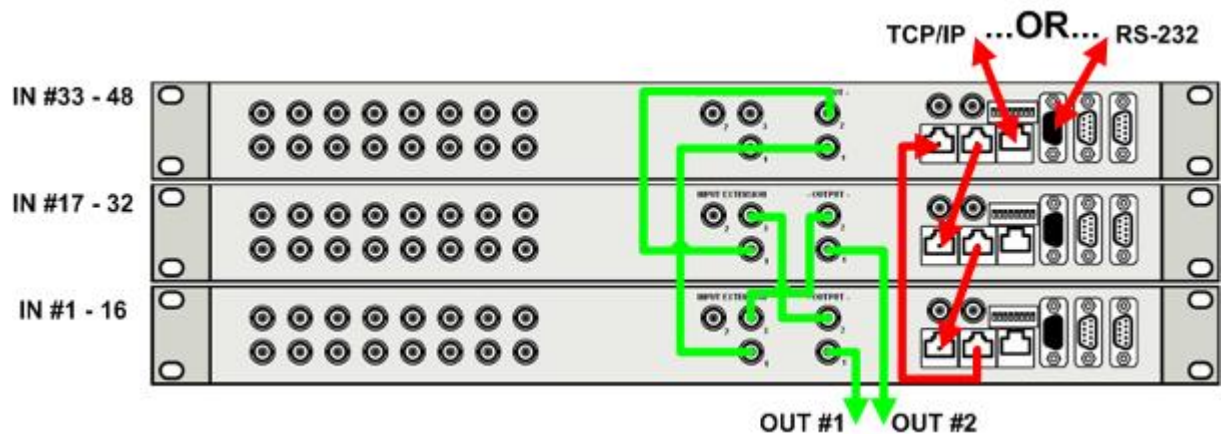


Figure 8: SL-V4802 wiring diagram.

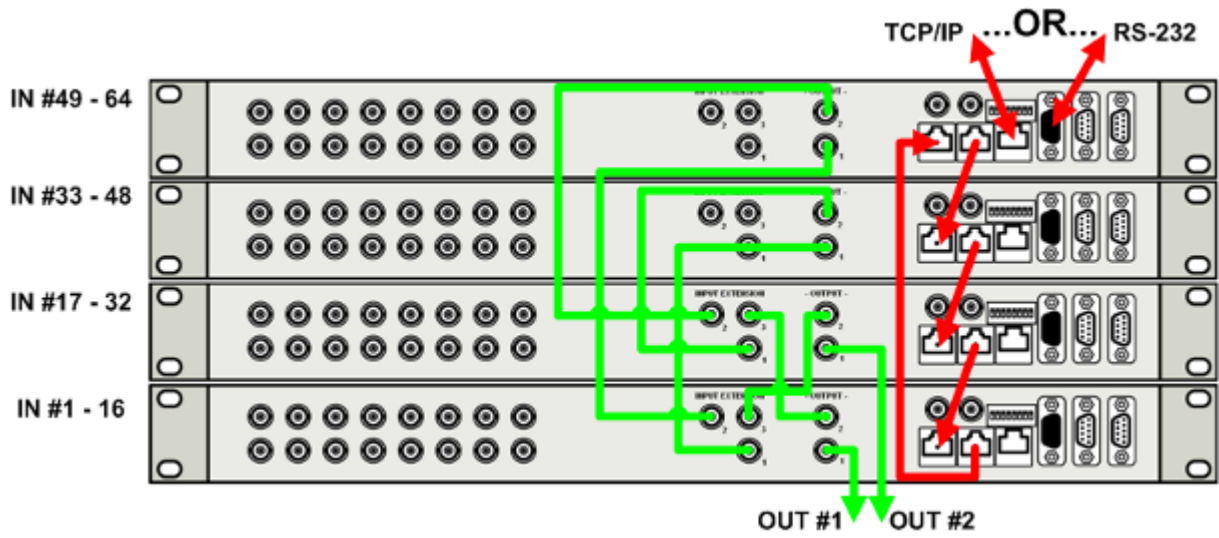


Figure 9: SL-V6402 wiring diagram.

7 Control Panel operation

This chapter is only applicable for routers with the optional local control panel.

All local control panels are completely configurable with the System Configurator, which is downloadable from the Support pages at <http://www.nevion.com/>

All local control panels are given a default configuration, which includes the buttons “A/V Toggle”, “Panel Enable”, “Take on/off” and “Take”. In addition input and output buttons are preconfigured.

Remember to re-program the local control panel on 16x2 routers with input offset >0.

If input offset (ref. Chapter 3.2.2) is >0, ALL Input buttons on that router must be re-programmed in order to operate on the associated router inputs.

7.1 Button description

7.1.1 A/V Toggle

The A/V Toggle button enables/disables audio and video on a specified address. The address can either be read from the dip switches, or be fixed. The button toggles between three states.

If the button is pressed for more than 1 second, it will go into a fourth state where both audio and video are disabled.

In this state the button will be dimmed. If the button is pressed for more than 1 second again, it will enable both audio and video if present.

Button Color	Video Enabled	Audio Enabled
Yellow	Yes	Yes
Green	Yes	No
Red	No	Yes
Dimmed	No	No

If neither audio nor video is present, it will be marked as disabled and the toggle state will not be used.

Toggle status changes will be stored in flash and used when the panel is powered up later.

The following information is only valid for Sublime FW version 2.5.3 and older:

If neither audio nor video is present, it will be marked as disabled and the toggle state will not be used.

When a panel is powered on it will search for connected routers. If no routers are found the A/V Toggle button will be disabled (no light in the button).

This can happen if the panel is powered up before any routers are connected or if there is something wrong with the cabling.

To re-enable the A/V Toggle do the following:

1. Activate the *Panel Enable* button (Green light).
2. Push & Hold the A/V Toggle-button for 2 seconds.

The A/V Toggle-button should now be activated and the light turned on.

7.1.2 Panel Enable

The panel always starts in disabled mode. In this state the button will be red and all the other buttons will be disabled. When pressing the button the panel will be enabled and the color will change to green. A status request will also be sent to get information on active levels.

7.1.3 Take on/off

The Take on/off button enables or disables the Take button. If no take button is defined, Take on/off is always off. On first start-up the take button is enabled. Later it will read the last status from the flash memory.

7.1.4 Take

The Take buttons LED is normally off. If the Take on/off button is set to “on”, no commands will be sent from the panel until the Take button is pressed. The last selected buttons and the take button will blink, until the Take button is pressed and the command is sent from the panel.

7.1.5 Output

An Output button is used for selecting an output. Selecting an output activates it, so that it is switched to the next input that is selected.

7.1.6 Input

An Input button switches the active output to the selected input. If the Take button is enabled, the switch will not be executed until the Take button is pressed.

When switching using the Input button, all enabled audio- and video-levels will be switched from the selected input to the active output.

The Input button can also be used to select the active output. This is useful on single bus panels. It requires that a *Panel Enable* button is present. When the panel is enabled, press the *Panel Enable* button and hold it while selecting the active output by pressing an *Input* button. Then release the *Panel Enable* button. The panel will now be disabled. Press the *Panel Enable* button again to enable it.

7.1.7 XY

An Input to Output (XY) button switches a preset input to a preset output on all enabled audio- and video-levels. If the Take button is enabled, the switch will not be executed until the Take button is pressed.

The maximum router size(s) that may be controlled without Multicon is formed by IN#1-128 and OUT#1-64 (router size: 128x64). This size limitation is regardless of the number of routers the control panel(s) is/are controlling.

See also the limitations 1 and 2 in Chapter 5.2.1.

7.1.8 Salvo

A Salvo button switches a sequence of X-points. This is done even if the specified audio- or video-level is disabled.

Salvo limitations on Sublime routers with local control panels:

1 level (audio + video) up to 128x128;
20 salvos of max 64 X-points each.

Salvo limitations on Sublime stand-alone control panels:

4 levels (audio + video) up to 128x128; 20 salvos of max 64 X-points each.

7.1.9 Lock

A Lock Toggle button toggles the lock-status on the active output on all enabled audio- and video-levels. If the active output on any of the enabled levels is locked before pressing the button, they will be unlocked. If not the active output on all enabled levels will be locked. A locked output can't be switched.

7.1.10 Protect

A Protect Toggle button toggles the protect-status on the active output on all enabled audio- and video-levels. If the active output on any of the enabled levels is protected before pressing the button, it will become unprotected. If not, the active output on all enabled levels will be protected. A protected output can't be switched by anyone else but the user that protected it.

General environmental requirements for Nevion equipment

1. The equipment will meet the guaranteed performance specification under the following environmental conditions:
 - Operating room temperature range: 0°C to 45°C
 - Operating relative humidity range: <95% (non-condensing)

2. The equipment will operate without damage under the following environmental conditions:
 - Temperature range: -10°C to 55°C
 - Relative humidity range: <95% (non-condensing)

Product Warranty

The warranty terms and conditions for the product(s) covered by this manual follow the General Sales Conditions by Nevion, which are available on the company web site:

www.nevion.com

Important notes regarding Software in the VikinX Sublime router family range

This product utilizes software components that are licensed with open source licenses. The source code for these components and our modifications are available from: <http://labs.nevion.com/open-source/>

OpenTCP includes software developed by Viola systems (<http://www.violasystems.com/>).

Appendix A Materials declaration and recycling information

A.1 Materials declaration

For product sold into China after 1st March 2007, we comply with the “Administrative Measure on the Control of Pollution by Electronic Information Products”. In the first stage of this legislation, content of six hazardous materials has to be declared. The table below shows the required information.

組成名稱 Part Name	Toxic or hazardous substances and elements					
	鉛 Lead (Pb)	汞 Mercury (Hg)	鎘 Cadmium (Cd)	六价铬 Hexavalent Chromium (Cr(VI))	多溴联苯 Polybrominated biphenyls (PBB)	多溴二苯醚 Polybrominated diphenyl ethers (PBDE)
All products referred to in Chapter 1.1	○	○	○	○	○	○
SL-PWR-40 / SL-PWR-90	○	○	○	○	○	○
O: Indicates that this toxic or hazardous substance contained in all of the homogeneous materials for this part is below the limit requirement in SJ/T11363-2006.						
X: Indicates that this toxic or hazardous substance contained in at least one of the homogeneous materials used for this part is above the limit requirement in SJ/T11363-2006.						

This is indicated by the product marking:



A.2 Recycling information

Nevion provides assistance to customers and recyclers through our web site <http://www.nevion.com/>. Please contact Nevion’s Customer Support for assistance with recycling if this site does not show the information you require.

Where it is not possible to return the product to Nevion or its agents for recycling, the following general information may be of assistance:

- Before attempting disassembly, ensure the product is completely disconnected from power and signal connections.
- All major parts are marked or labeled to show their material content.
- Depending on the date of manufacture, this product may contain lead in solder.
- Some circuit boards may contain battery-backed memory devices.

Appendix B Additional Protocol information

B.1 Leitch Pass-Through protocol

This protocol is available in Sublime firmware 2.4.0 and later.

The Sublime implementation of Leitch Pass-Through supports all commands described in "Leitch Routing Switchers Serial Protocol Reference, Edition E".

In the command "Alarms Status Request", a bit-field is used for reporting active alarms. In Sublime, the bit-field is used as in the table below.

Bit	Description	Reported from firmware version
0	Power A failed	2.4.0
1	Power B failed	2.4.0
2	Positive power too low	2.4.0
3	Negative power too high	2.4.0
4	Client TCP/IP connection failed	2.4.0
5	No valid product key	2.4.0
6	SFP error	2.4.0
7	EXT IN not locked	2.5.4
8	EXT IN CRC error counting	2.5.4
9	Fan error	2.6.2

B.2 Grass Valley Native protocol

This protocol is available in Sublime firmware 2.5.4 and later.

Sublime does not support all commands available in this protocol. The supported commands are described in the table below.

Command	Parameter	Comments		
BK - Background Activities	E - Echo	BK,E and BK,E,ON and BK,E,OFF are all accepted and will be responded with ER,00,BK.		
	R - Protocol Processor Software Revision #	Will be responded with KB,R,<firmware version>.		
TJ - Request Take Index With Level Bitmap		Each command supports only one X-point.		
TI - Request Take Index With Level Index		The optional level Index is not supported. The command can only be used to switch all levels.		
QH - Query alarm status	AC - Query active alarm status	Sublime has defined the alarms defined in the table below. All active alarms will be responded on this request.		
		Alarm ID	Alarm Name	Alarm Parameter
		0x0101	Frame Fan	Fan number
		0x0105	Power-supply	01 - Power A failed 02 - Power B failed
0x010A	Positive power too low	Always 00		

		0x010B	Negative power to high	Always 00
		0x010C	Client TCP/IP connection failed	Always 00
		0x010D	No valid product key	Always 00
		0x010E	SFP error	Always 00
		0x010F	EXT IN not locked	Always 00
		0x0110	EXT IN CRC error counting	Always 00
QN - Query Names	L - Level			
	IS - Sources with source indexes	On SL-D32P+ the next available source will be labeled "DISCONNECT" and used to disconnect destinations.		
	ID - Destinations with destination indexes			